

## High Resolution Vandal Proof Dome IP Camera

HSS-9302-T-IP is an outdoor, network camera equipped with an automatic IR-cut filter and IR LEDs for day and night surveillance. The camera supports H.265 video codec to achieve better compression ratio while maintaining high quality pictures at reduced network bandwidths. The camera adheres to IK10 and IP67 standards, and can be powered through PoE.

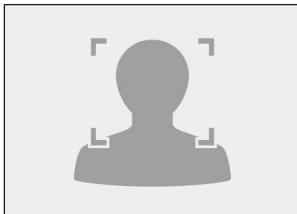
Empowered by deep learning algorithms, AI technology distinguishes human and vehicles from other moving objects. Integrated with Homeland Safety Systems' Video Management Software (VMS), it supports AI perimeter protection, real-time alert, events playback and more.

### FEATURES



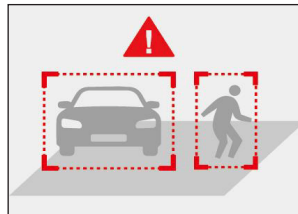
- AI deep learning: AI Perimeter Protection & Classification (Human, Vehicle)
- 1/3" progressive scan super low lux CMOS sensor
- Triple streams from H.265, H.264 or MJPEG
- Wide Dynamic Range Pro (WDR Pro)
- Min. illumination at 0.002 lux
- Up to 30 fps at 2688 x 1520
- Intelligent IR
- Day and night function (with removable IR-cut filter)
- Motorized lens for remote focus/zoom adjustment
- IR distance up to 40 m (130 ft)
- Built-in microphone
- Built-in micro SD card slot (SD / SDHC / SDXC / UHS-I) for local storage
- 3-axis mechanism (pan / tilt / rotate)
- Ingress protection (IP67)
- Vandal resistance (IK10 for metal casing)
- DC 12V / PoE (IEEE 802.3af)
- ONVIF (Profile G, S, T) conformant
- NDAA 889 Compliant

#### Face Detection

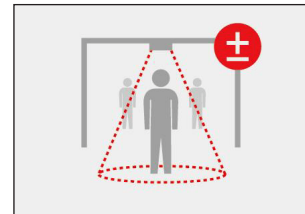


#### AI Perimeter Protection

(Intrusion, Crossing Line Entering Area, Leaving Area)

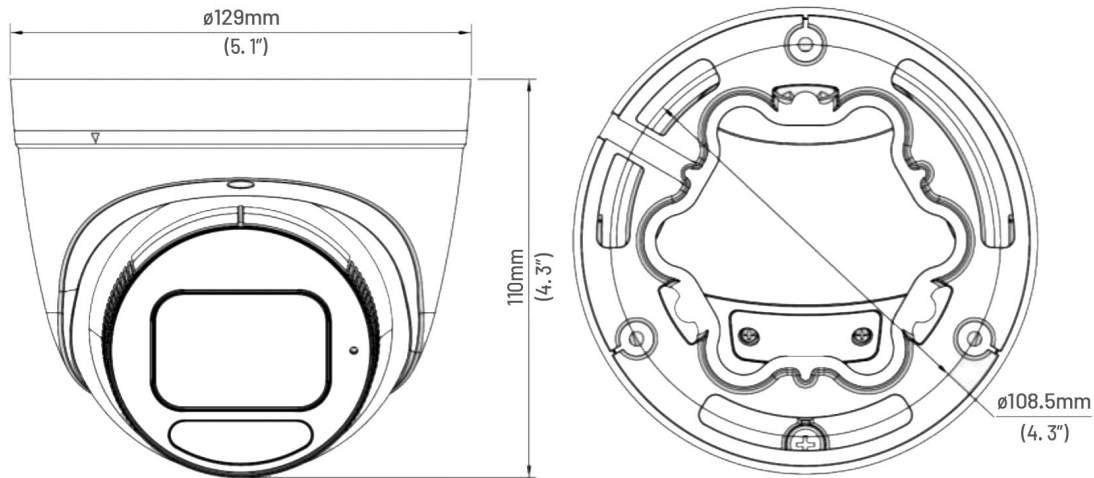


#### People Flow Counting



**Note:** People Flow Counting and Crowd Density Monitoring integration of the camera to HSS-VMS is coming soon.

## DIMENSIONS



## SPECIFICATIONS

### CAMERA

Image Sensor	1/3" progressive scan super low lux CMOS
Picture Elements	2688 (H) x 1520 (V)
Minimum Illumination	0.002 Lux (Fl.2 , AGC ON)
Shutter Spread	Automatic / Manual (1~ 1/100000 sec)
White Balance	Automatic / Manual
Gain Control	Automatic / Manual
S/N Ratio	56 dB
WDR	WDR Pro
Dynamic Range	120 dB

### OPERATION

Video Compression	H.265 , H.264 , MJPEG
Video Streaming	Triple streams from H.265 , H.264 or MJPEG
Frame Rate	30 fps at 2688 x 1520, 30 fps at 2560 x 1440, 30 fps at 2304 x 1296 (60 / 50 Hz) *The frame rate and performance may vary depending on the number of connections and data bitrates (different scenes).
Video Analytics	Motion Detection, Tampering Alarm, Audio Detection, Intrusion, Human Body Detection. *All are Optional - Tampering Alarm, Audio Detection, and Intrusion are only accessible through the camera's Web interface, which can be used to trigger alerts such as e-mail and FTP.
Image Setting	Brightness, Contrast, Saturation, Sharpness, Flicker-less, 3D Noise Reduction, Image Orientation (Flip, Mirror, 0°, 90°, 180°, 270°-including Corridor format)
Audio Compression	G.711

## LENS

Megapixel	4 MP
Day / Night	Yes (with removable IR-cut filter)
Lens Type	Motorized Varifocal Lens
Focal Length	2.7 ~ 13.5 mm
Maximum Aperture	F/1.2
Mount	ø 12mm
HorizontalFOV	98° ~ 31°
Operation - Focus	Auto / Manual
Operation - Zoom	5x Optical Zoom
Operation - Iris	Fixed
IR LED Quantity	2 IR LEDs
Maximum IR Distance	40 m (130 ft.)

## FACE DETECTION

Environment	100 lux
Detectable Face Angle -- Tilt (Up/Down)	≤ 10°
Detectable Face Angle -- Swing (Left/Right)	≤ 30°
Maximum Number of Faces	Up to 40
Minimum Face Image Pixel Requirement	80 pixels

## DEEP LEARNING FUNCTION

AI Analytics	Intrusion, Crossing Line, Entering Area, Face Detection, Leaving Area (Human & Vehicle classification), People Flow Counting, Crowd Density Monitoring
--------------	--

## VIDEO RESOLUTION

Main Stream	2688 x 1520 (Default), 2560 x 1440, 2304 x 1296, 1920 x 1080, 1280 x 720
Sub Stream	1280 x 720, 720 x 576, 640 x 360 (Default), 640 x 480
Third Stream (Closed by Default)	720 x 576, 704 x 288, 640 x 360, 352 x 288

## NETWORK

Interface	10/100 Ethernet
Protocol	802.1x, ARP, DHCP, DDNS, DNS, DynDNS, FTP, HTTP, HTTPS, ICMP, IGMP, IPv4, IPv6, NTP, PPPoE, Qos, RTCP, RTP, RTSP, SMTP, SNMP, TCP, UDP, UPnP, ONVIF (Profile G, S, T)

MECHANICAL	
Pan	0° ~ 360°
Tilt	0° ~ 90°
Rotate	0° ~ 360°
Power	DC Jack (DC 12V, 1.25A), PoE
Ethernet	RJ-45
Audio Connectors	1 In (built-in optional microphone)
Local Storage Connectors	Micro SD card slot (SD/SDHC/SDXC/UHS-I, Class 10) *UHS-II card type is not supported.
Dynamic Range	120 dB
GENERAL	
Environment Temperature	30°C ~ 60°C (-22°F ~ 140°F)
Humidity	0% ~ 95% (No Condensation)
Power Source	12V DC / PoE (IEEE802.3af)
Max. Power Consumption	7.0W
Dimensions	ø 129 x 110 mm( ø 5.1" x 4.3")
Weight	0.69 kg (1.52 lb)
Ingress Protection	IP67
Vandal Resistance	IK10 for Metal Casing
Regulatory	CE, FCC, RoHS, UL Compliant
Dynamic Range	120 dB
WEB INTERFACE	
Installation Management	Web-Based Configuration
Maintenance	Firmware Upgrade through Web Browser or HSS-IP Device Utility
Access from Web Browser	Live View, Video Recording, Change Video Quality, Bandwidth Control, Image Snapshot, Defog, Digital Zoom, Text Overlay, Image Masking
APPLICATIONS	
Software Supported	HSS-VMS, HSS-DVR / NVR (V8.9.0), HSS-Control Center (V3.8.0), HSS-Edge Recording Manager Win version (V2.0.0)
Live Viewing	Browser (IE, Edge, Chrome, Firefox, Safari), Mobile App

## NOTE:

1. Patch files are required for some supported software.
2. Specifications are subject to change without notice.



HSS-9302-T-IP is in conformance and compliance with section 889 of the John S. McCain National Defense Authorization Act 2019 (NDAA), which prohibits the use of telecommunications equipment or services produced by the entities listed in the statute.