

## 25x IP Pan-Tilt-Zoom (PTZ) Camera

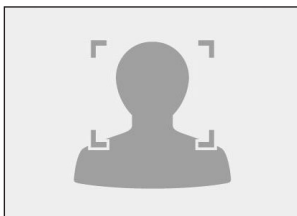
This PTZ camera offers 25x optical zoom and unlimited digital zoom, capable of showing smooth live view with great details. This camera can simultaneously deliver three video streams in resolutions up to 2688 x 1520 at 30 fps. In low-light environments, night vision is enhanced with its high-power LEDs, which allow up to 100 m (330 ft) effective IR distance. The camera can process scenes with contrasting intensity of lights and produce clear images using the built-in WDR Pro. The camera supports H.265 video codec to achieve better compression ratio while maintaining high quality pictures at reduced network bandwidths.



### FEATURES

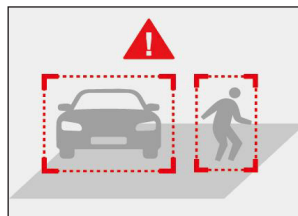
- AI deep learning: AI Perimeter Protection & Classification (Human, Vehicle)
- 1/2.8" progressive scan CMOS sensor
- Min. illumination at 0.003 lux
- Triple streams from H.265, H.264 or MJPEG
- Up to 30 fps at 2688 x 1520
- Motorized varifocal lens for remote focus/zoom adjustments
- Intelligent IR
- Day and night function (with removable IR-cut filter)
- Two sensor inputs and one alarm output
- Wide Dynamic Range Pro (WDR Pro)
- Ingress protection (IP67)
- Vandal resistance (IK10 for metal casing)
- Two-way audio capable
- Built-in micro SD card slot (SD / SDHC / SDXC / UHS-I, Class 10) for local storage
- DC 12V / PoE+ (IEEE 802.3af)
- Pan 360° endlessly
- Tilt from -15° to 90°
- Pan and tilt speed of up to 240°/sec and 200°/sec, respectively
- Auto focus, motion detection, and 3D noise reduction
- NDAA 889 Compliant

#### Face Detection

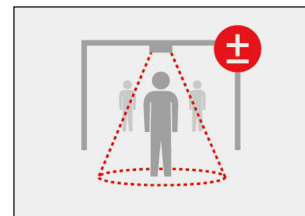


#### AI Perimeter Protection

(Intrusion, Crossing Line Entering Area, Leaving Area)

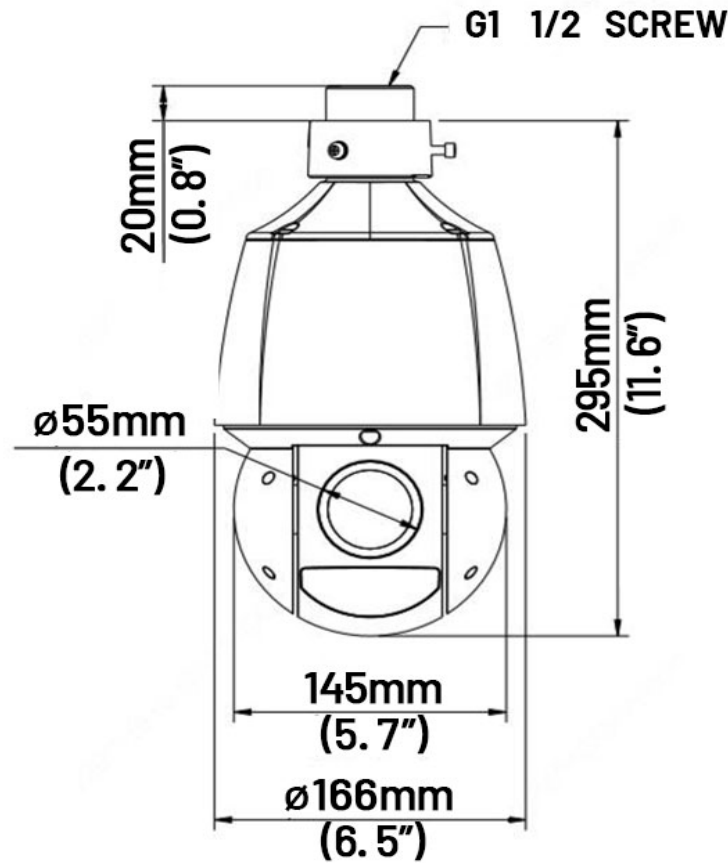


#### People Flow Counting



**Note:** People Flow Counting and Crowd Density Monitoring integration of the camera to HSS-VMS is coming soon.

## DIMENSIONS



## SPECIFICATIONS

CAMERA	
Image Sensor	1/3" progressive scan super low lux CMOS
Picture Elements	2688 (H) x 1520 (V)
Min. Illumination	0.002 Lux (F1.2, AGC ON)
Electronic Shutter	Automatic / Manual (1~ 1/100000 sec)
White Balance	Automatic / Manual
AGC Control	Automatic / Manual
Iris Control	Automatic / Manual
S/N Ratio	56 dB
WDR	WDR Pro
Dynamic Range	120 dB

## OPTICAL LENS

Megapixel	4 MP
Day / Night	Yes (with removable IR-cut filter)
Lens Type	Motorized Varifocal Lens
Focal Length	4.8 ~ 120 mm
Maximum Aperture	F1.5
HorizontalFOV	52.20° ~ 2.74°
Operation - Focus	Automatic / Manual
Operation - Zoom	25x Optical Zoom
Operation - Iris	Automatic / Manual
IR LED Quantity	4 IR LEDs
Maximum IR Distance	100 m (330 ft.)

## VIDEO

Video Compression	H.265, H.264, MJPEG
Video Streaming	Triple streams from H.265, H.264 or MJPEG
Main Stream	2688 x 1520 (Default), 2560 x 1440, 1920 x 1080, 1280 x 720 , 720 x 576, 640 x 360
Sub Stream	1920 x 1080, 1280 x 720, 720 x 576, 640 x 480, 640 x 360 (Default)
Frame Rate	30 fps at 2688 x 1520, 30 fps at 2560 x 1440, 30 fps at 1920 x 1080 (60 / 50 Hz) * The frame rate and performance may vary depending on the number of connections and data bitrates (different scenes).
Video Analytics	Motion Detection, Tampering Alarm, Audio Detection *Tampering alarm and audio detection are only accessible through the camera's Web interface, which can be used to trigger alerts such as e-mail and FTP
Image Setting	Brightness, Contrast, Saturation, Sharpness, Flicker-less, Image Orientation (Flip, Mirror, 0°, 90°, 180°, 270°-including Corridor format)

## AUDIO

Audio Compression	H.265 , H.264 , MJPEG
Audio Support	Triple streams from H.265 , H.264 or MJPEG

## DEEP LEARNING FUNCTION

AI Analytics	Cross Line, Intrusion, Auto Tracking, Enter Area, Leave Area, Face Detection, People Flow Counting, Crowd Density Monitoring
--------------	--

## NETWORK

Interface	10/100 Ethernet
Protocol	802.1x, ARP, DHCP, DDNS, DNS, DynDNS, FTP, HTTP, HTTPS, ICMP, IGMP, IPv4, NTP, PPPoE, QoS, RTCP, RTP, RTSP, SMTP, SNMP, TCP, UDP, UPnP

GENERAL	
Operating Temperature	-40°C ~ 70°C (-40°F ~ 158°F)
Humidity	20% ~ 90% (Non-Condensing)
Power Source	DC 12V, PoE+ (IEEE 802.3at)
Power Consumption	21W
Dimensions	ø 166 x 295 mm( 6.5" x 11.6")
Weight	3.05 kg (6.72 lb)
Ingress Protection	IP67
Vandal Resistance	IK10 for Metal Casing
Regulatory	CE, FCC, RoHS, UL Compliant
WEB INTERFACE	
Installation Management	Web-Based Configuration
Maintenance	Firmware Upgrade through Web Browser or Utility
Access from Web Browser	Live View, Video Recording, Change Video Quality, Bandwidth Control, Image Snapshot, Defog, Digital Zoom, Text Overlay, Image Masking
SOFTWARE APPLICATIONS	
Software Supported	HSS-VMS, HSS-DVR / NVR, HSS-Control Center, HSS-Edge Recording Manager Windows Version (V2.0.0)
Live Viewing	Browser (IE, Edge, Chrome, Firefox, Safari), Mobile App

## NOTE:

1. It is required to apply patch files to the supported software.
2. Do not use clothes or any ordinary material to clean the camera cover since they may result in scratches.
3. Mind the following when using an inserted memory card for recording:
  - Recorded data on the memory card can be damaged or lost if the data are accessed while the camera is under physical shock, power interruption, memory card detachment or when the memory card reaches the end of its lifespan. No guarantee is provided for such causes.
  - The stored data can be lost if the memory card is not accessed for a long period of time. Back up your data periodically if you seldom access the memory card.
  - Memory cards are expendable and their durability varies according to the conditions of the installed site and how they are used. Back up your data regularly and replace the memory card annually.
  - To avoid power outage, it is highly recommended to apply a battery backup (UPS).
  - For better performance, it is highly recommended that you use a micro SD card of SDHC/SDXC, Class 10.
4. Specifications are subject to change without notice.



HSS-SD4825-IP-IR is in conformance and compliance with section 889 of the John S. McCain National Defense Authorization Act 2019 (NDA), which prohibits the use of telecommunications equipment or services produced by the entities listed in the statute.